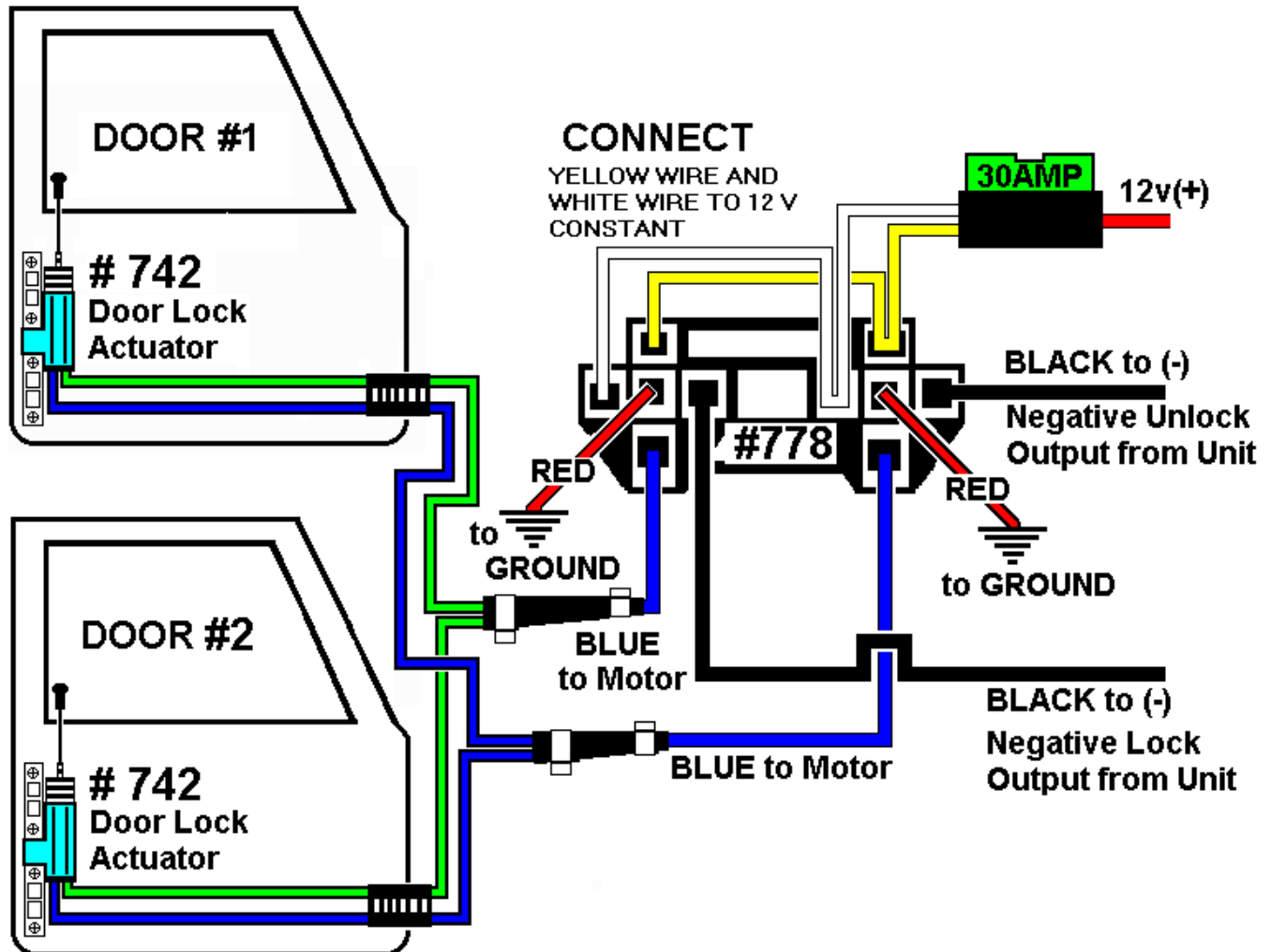


#742 ACTUATOR DIAGRAM using the #778 Relay and Harness

Requires (2) #742's and (1) #778



Actuator motors part # 742 are added to both the Driver's door and the Passanger's door to add POWER door locks to a vehicle with Factory mechanical door locks installed. When installing in a (4) Door vehicle, (2) more #742's will need to be installed in the rear doors.....