

# BULLDOG SECURITY

*Deluxe 12I*  
Deluxe Remote Starter  
with Keyless Entry

*Bulldog Security*

[www.bulldogsecurity.com](http://www.bulldogsecurity.com)  
225 Technology Way • Steubenville, OH 43952  
800-878-8007



INSTALLATION AND OWNER'S GUIDE

# BULLDOG SECURITY

## About Access 2 Communications, Inc.

In 1992 Access 2 Communications, Inc. opened its doors as an American owned and operated automotive security manufacturer. Today, more than a decade later, we still manufacture in America using the latest technology and robotic machinery. All units are built with the highest integrity in our Steubenville, Ohio facility. We at A2C pride ourselves on quality and customer service. Thank you for purchasing an American made product.

**FCC/ID J3S0045CHOO** - This device complies with Part 15 of FCC rules and regulations. Operation of this unit is subject to the following two conditions. (1) This device may not cause harmful interference. (2) This device must accept any interference received, including interference that may cause undesired operation.

Changes or modifications not expressly approved by the party responsible for the compliance could void the user's authority to operate the device.

## YOUR WARRANTY

### Here's how your warranty works:

Access 2 Comm. Inc. warrants to the original customer, in the originally installed vehicle a limited lifetime warranty, providing the system was installed by an authorized dealer.

Within 12 months of purchase, Access 2 Comm. Inc. will repair or replace, our option, any defective system at no charge. After 12 months from date of purchase, Access 2 Comm. Inc. will, at our option, repair or replace the system for a \$20 shipping and handling fee.

Installation, labor, removal and reinstallation are not the responsibility of Access 2 Comm. Inc. Registration must be completed and sent in within ten (10) days of purchase in order to validate the warranty. Access 2 Comm. Inc. makes no warranty against the theft of a vehicle or its contents. This warranty is not to be construed as an insurance policy against loss.

Incidental, consequential an/or indirect damages are expressly disclaimed. No person or entity is authorized to alter, amend or increase this limited warranty. All parts and accessories are covered under the expressed warranty with the exception of the remote transmitter battery.

The Dealer and/or consumer will be responsible for freight or shipping charges to Access 2 Comm. Inc. on all merchandise returned for repair or replacement. Access 2 Comm. Inc. will be responsible for any freight or shipping charges on product returned or exchanged back to the Dealer and or consumer.

### DISCLAIMER

Access 2 Comm. Inc. disclaims the warranty of merchantability and fitness for any particular use. This disclaimer shall be effective as to all claims or any kind made by or through any wholesaler, retailer, consumer or any other person or entity. Some states do not permit the disclaimer of implied warranties in some sales. Hence, this disclaimer may not apply to you.

### LIMITATION OF REMEDIES

Consumer's remedy is limited to repair or replacement of the unit, and in no event shall exceed the purchase price. Incidental, consequential an/or indirect damages are expressly disclaimed. No person or entity is authorized to alter, amend or increase this limited warranty.

## WARRANTY REGISTRATION

Your Name \_\_\_\_\_  
Address \_\_\_\_\_  
City \_\_\_\_\_ State \_\_\_\_\_ Zip Code \_\_\_\_\_  
Email Address \_\_\_\_\_  
Dealer Name \_\_\_\_\_  
Address \_\_\_\_\_  
City \_\_\_\_\_ State \_\_\_\_\_ Zip Code \_\_\_\_\_  
Date of Purchase \_\_\_\_\_ Model: Deluxe 621  
Make/Model of Vehicle \_\_\_\_\_ Year \_\_\_\_\_  
Final Quality Check By \_\_\_\_\_

**Mail this card to: Access 2 Communications, Inc., 225 Technology Way, Steubenville, OH 43952**

## Trunk Release Output

The remote car starter includes an optional output that can be used to do one of the following: open the trunk, roll up the windows (optional module required), close the sun roof (optional module needed) etc. This output will pulse .75 seconds when pressed and released. In instances where a continuous signal is needed such as sun roof and power windows, hold down Button #3 (Trunk) as long as the signal is needed to complete the task. The parking lights will remain on as long as this button is being pressed.

## Runtime Confirmation

With the engine off, press and release Button #4 (Stop). The parking lights will begin to flash, each flash represents five minutes of programmed runtime. Example: 5 flashes = 25 minutes.

### KEEP THIS CARD IN YOUR WALLET

**Remote Starting:** Press and release Button #1.

The parking lights will flash once confirming the signal was received and the vehicle will start. Once running, the parking lights will turn on and remain on. If start fails, the unit will make two additional attempts.

**Lock/Unlock:** Press and release Button #2. The parking lights will flash once and the doors will lock. Press Button #2 again, the parking lights will flash twice and the doors will unlock.

**Pit Stop:** Exiting the vehicle with the engine running. Make sure the vehicle is in park. Press Button #1 and then turn the ignition to the off position. The vehicle will remain running.

**Trunk Release:** Press and release Button #3, the parking lights will flash and the trunk will open (if installed).



## Deluxe 12I

### Deluxe Remote Starter with Keyless Entry

System Features .....	3-4
System Components .....	5
Technical Assistance .....	5
Before You Begin .....	5
Precautions .....	6
Neutral Safety Switch .....	7
Antenna Placement .....	8
Installation Diagram .....	9
Connecting The 18-Pin Harness .....	10-12
Connecting the Main power, Ignition and Accessory Wires .....	11
Making Main Power, Ignition and Accessory Connections .....	12
Testing Door Locks .....	13-14
Connecting Door Locks .....	15-17
Programming Instructions .....	18-20
Operating Instructions .....	21-22
Warranty Registration .....	23

## SYSTEM FEATURES

### Remote Starter Features

#### 1 Four-Button Extended Range Remote Transmitters

Remotely start your car to run the heater or air conditioning from an extended distance.

#### Remote Programmable Automatic Hot and Cold Start

Remotely program your car to start at a preset temperature. Select desired temperature from 150°F to -40°F.

## Remote Starter Features

**Remote Programmable Low Voltage Start** Remotely program your vehicle to automatically start when the battery voltage drops below 11 volts.

**Remote Programmable Run Time** Remotely program your vehicle to run from 5 to 15 minutes.

**Remote Programmable Extended Crank Time** Remotely program a longer engine cranking for hard starting vehicles.

**Dedicated Start and Stop Buttons** Uses separate buttons to start and stop the remote starter.

**Diesel Start Capability** Allows you to program the unit to remotely start a diesel vehicle.

## Keyless Entry Features

**Remote Keyless Entry\*** Remotely locks and unlocks your power door locks with built-in relays onboard.

**Remote Programmable Ignition Controlled Door Locks\*** A programmable feature that locks and unlocks the doors when the brake is depressed and the ignition is on.

**Trunk Release\*** Remotely opens your trunk with a push of a button.

**Dome Light Supervision\*** Never walk up to a dark vehicle again. When unlocking the vehicle by remote control the dome light will stay on for one minute, or until you activate the ignition switch.

**Parking Light Confirmation** Confirms that your vehicle has received a remote signal and will remain on if the engine is remotely started.

**Multi-Remote Learning** Allows your remote starter to learn new remotes, should you want to add remotes, or if remotes are lost.

**Limited Lifetime Warranty** Guarantees life-long protection.

\* Optional feature.



- (1) Button #1: Remote starts your vehicle from up to a quarter mile.
- (2) Button #2: Arm locks and disarm unlocks your power door locks.
- (3) Button #3: Pops your trunk.
- (4) Button #4: Turns off your remote starter.

## Starting the Vehicle with the Remote Transmitter

Press and release Button #1 (Start). The parking lights will flash once, confirming the car starter received the signal. The car will then start and the parking lights will turn on and remain on while the vehicle is running. To shut off the engine before the preset time, press Button #4 (Stop), press the brake pedal or open the hood. **NOTE:** If your car does not start on the first crank it will automatically attempt to start up to 3 more times (only in Tachless Mode). In Tachless Mode, parking lights will wait approximately 10 seconds before turning on after the vehicle is remotely started.

## Keyless Entry

Press Button #2 (Lock/Unlock), the parking lights will flash once and the doors will lock. Press Button #2 again, the parking lights will flash twice, the doors will unlock, and the parking lights will remain on for one minute or until you turn the ignition on and press the brake.

## Pit Stop: Exiting the Car while Leaving the Engine Running

Make sure the transmission is in park and press Button #1 (Start) before turning the ignition switch off. (The engine will remain running for the preset runtime.)

## Dome Light Supervision Option

This system includes an optional output that can be used to illuminate the dome light when pressing Button #2 and unlocking your doors\*. The dome light will remain on for one minute or until you turn the ignition on and press the brake.

# PROGRAMMING INSTRUCTIONS

## Programming Tach/Tachless Start

Press and hold the brake, then press and hold Button #3 (Trunk) until the parking lights flash three (3) times. Release Button #3. Press and release Button #4, the parking lights will flash once. The unit is now in Tach Start Mode. Press and release Button #4, the parking lights will flash twice. The unit is now in Tachless Start Mode. Release the brake, the parking lights will flash three (3) times. The programming is now entered. **NOTE:** Factory setting is Tachless Start Mode.

## Programming Diesel Start

Press and hold the brake, then press and hold Button #4 (Stop) until the parking lights flash four (4) times. Release Button #4. Press and release Button #1, the parking lights will flash once. The unit is now programmed for Diesel Start Mode. Press and release Button #1, the parking lights will flash twice, Diesel Start Mode is now off. Release the brake, the parking lights will flash three (3) times. The programming is now entered. **NOTE:** Factory setting is Diesel Start off. When programming Diesel Start, the unit will automatically program for Tach Start.

## Programming Glow Plug Timer

Press and hold the brake, then press and hold Button #4 (Stop) until the parking lights flash four (4) times. Release Button #4 and press again.  
One (1) parking light flash = 5 second start delay.  
Two (2) parking light flashes = 10 second start delay.  
Three (3) parking light flashes = 15 second start delay.  
Four (4) parking light flashes = Timer off. (must use sense wire)  
**NOTE:** You must first program Diesel Start On.

## SPECIAL PROGRAMMING MODE:

### Runtime Programming (Engine Off)

Press and hold Button #4 (Stop) for approximately 10 seconds. The parking lights will begin to flash, each flash represents 5 minutes with the maximum being 25 minutes, 5 flashes. Simply release button at whatever runtime you desire. To check programmed runtime, press and release Button #4 (Stop). The parking lights will flash for the amount of runtime you have programmed the unit for.

### Clearing the Memory of the Unit

Press and hold the brake pedal, now cycle the key in the ignition switch from OFF to RUN (not start) five (5) times within four (4) seconds. Release the brake, now try the remote. The unit should not function with the remote. If the unit does not function, unplug the unit from both harnesses, wait one (1) minute and plug it back in. Press Button #4 (Stop) the parking lights will flash three (3) times, the unit is now back to factory default and ready to operate.

# COMPONENTS

This system includes:

- |  |                                      |
|--|--------------------------------------|
| 1-Installation and Owner's Guide       | 1-Hood Switch                        |
| 1-Main Control Module                  | 1-Extended Range Antenna with L.E.D. |
| 1-Four Button Remote Transmitters      | 1-4-Pin Antenna Harness              |
| 1-18-Pin Wire Harness                  | 1-Warning Sticker for Under the Hood |
| 1-5 Pin Harness (door locks)           | 2-Window Decals                      |
| 6-Heavy Gauge Wires w/ Spade Connector | 1-Warranty                           |

# TECHNICAL ASSISTANCE

Should you need help. First check our website at [www.bulldogsecurity.com/wires.htm](http://www.bulldogsecurity.com/wires.htm) or call our toll-free Tech Support Hotline at 800-878-8007 Monday through Friday 9AM-8PM and Saturday 10AM-4PM EST.

# BEFORE YOU BEGIN

You have chosen one of the most advanced remote starter systems ever made. This system is a technological breakthrough utilizing the most advanced, state-of-the-art technology and components. It is computer controlled and manufactured in the U.S.A. The dependability and variety of features make Bulldog Security Security the leader in the industry.

This system is designed to start the vehicle by sending a command signal from the remote transmitter or by programming automatic temperature or timed start. It is required that installation be done in a well-ventilated area. It is the **responsibility of the owner to ensure that the system is not used to start the vehicle in an undesired location. It is recommended that a carbon monoxide detector be installed in the living area near where the vehicle will be garaged.**

This system requires no regular maintenance. Your remote transmitter is powered by a small 12-volt A23 battery. Its approximate life is one to two years under normal use. Indications that the battery has begun to weaken are reduced range and/or dimming of the LED on the remote transmitter.

## PRECAUTIONS

***This system is designed to be used with fuel-injected and diesel vehicles with automatic transmissions only.***

### **SAFETY FIRST!**

Never remote start the vehicle if it is indoors or if the keys are in the ignition. Always be sure that the vehicle is in park. A periodic safety check is recommended to ensure that your system is in proper working order.

**DO NOT** use mechanical wiring connections, such as crimp or snap together taps.

**DO NOT** disconnect the battery if the vehicle has an anti-theft-coded radio or is equipped with an airbag. Doing so may cause a warning light to be displayed.

**DO NOT** leave the interior or exterior lights on for an extended period of time as it may cause battery drain. Remove the dome light fuse from the vehicle's fuse box. NOTE: Starter systems do not work well with a partially discharged battery.

**DO NOT** mount the control module until all connections have been made and tested. Using wire ties or double sided tape, MOUNT THE MODULE UNDER THE DRIVER'S DASH. **Place the warning sticker under the hood.**

**PLEASE USE CAUTION: DO NOT CUT, PROBE OR DISCONNECT THE VEHICLE'S AIRBAG WIRES. THESE WIRES WILL ALMOST ALWAYS BE INSIDE A BRIGHT YELLOW TUBE LOCATED NEAR THE STEERING COLUMN HARNESS.**

**WARNING! – GENERAL MOTORS REAR WHEEL DRIVE VEHICLES AND DODGE DAKOTAS** All General Motors rear wheel drive vehicles and Dodge Dakotas built prior to 1996 do not have an electrical Neutral Safety switch. They have a mechanical neutral safety switch. The mechanical neutral safety switch operates as follows.

- The key will only turn to start position when the gear selector is in park or neutral.
- The key can only be removed from the ignition switch when the gear selector is in the park position.

You must use special precautions with this system. (See *Neutral Safety Switch, page 7.*)

## PROGRAMMING INSTRUCTIONS

### **Programming Tach Learn**

Press and hold the brake, then press and hold Button #2 until the parking lights flash twice. Release Button #2. NOTE: The unit must be set to Tach Start first. Next, turn the ignition on. (If your vehicle is a diesel, wait for the glow plug to go out then proceed to the next step) Start the engine with the key then press and release Button #4. The parking lights will flash once. When the parking lights flash two more times, the tach signal has been learned.

### **Programming Low Voltage Start**

Press and hold the brake, then press and hold Button #2 (Lock/Unlock) until the parking lights flash twice. Release Button #2 (Lock/Unlock). Press and release Button #1 (Start). The parking lights will flash twice. Low Voltage Start is now on. Release the brake, the parking lights will flash three (3) times. NOTE: The factory setting is Low Voltage Start off.

### **Programming Cold Start**

Press and hold the brake, then press and hold Button #2 (Lock/Unlock) until the parking lights flash twice. Release Button #2. Press and hold Button #2, the parking lights will flash once. Each continuous flash represents a progression in degrees: one (1) flash = -40°F, two (2) flashes = -30°F, three (3) flashes = -20°F, four (4) flashes = -10°F, five (5) flashes = 0°F, six (6) flashes = 10°F, seven (7) flashes = 20°F. To disable Cold Start, press and hold Button #2 until the parking lights flash seven (7) times, then two (2) quick flashes 8 and 9. The Cold Start is now disabled. Release the brake, the parking lights will flash three (3) times, the programming is now entered. NOTE: The factory setting is Cold Start off.

### **Programming Hot Start**

Press and hold the brake, then press and hold Button #2 (Arm/Disarm) until the parking lights flash twice. Release Button #2. Press and hold Button #3, the parking lights will flash once. Each continuous flash represents a progression in degrees: one (1) flash = 150°F, two (2) flashes = 140°F, three (3) flashes = 130°F, four (4) flashes = 120°F, five (5) flashes = 110°F, six (6) flashes = 100°F. To disable Hot Start, press and hold Button #3 until the parking lights flash six (6) times, then two (2) quick flashes for 7 and 8. The Hot Start is now disabled. Release the brake, the parking lights will flash three (3) times, the programming is now entered. NOTE: The factory setting is Hot Start off.

**NOTE:** Only Cold and Hot Start functions can be enabled at the same time. If button #1 is pressed for programming, Cold/Hot Start is disabled. When Buttons #2 and #3 are pressed, then the Automatic and Low Voltage Starts are disabled.

# PROGRAMMING INSTRUCTIONS

## WE RECOMMEND THAT YOU USE FACTORY SETTINGS FIRST

### Entering Programming Mode

Make sure your key is not in the ignition and the brake is pressed. The brake is to remain pressed as long as you want to remain in programming mode. The unit will exit the programming mode simply by releasing the brake. The parking lights will flash three (3) times confirming that you are out of programming mode.

### Programming Double Crank Time

Press and hold the brake, then press and hold Button #3 (Trunk) until the parking lights flash three (3) times. Release Button #3. Press and release Button #3, the parking lights will flash once. The Double Crank is on. Press and release Button #3, the parking lights will flash twice, Double Crank is now off. Release the brake, the parking lights will flash three (3) times, the programming is now entered. **NOTE:** Factory setting is Double Crank off.

### Adding New Transmitters

Press and hold the brake, then press and hold Button #1 (Start) on the working remote until the parking lights flash once. Release Button #1. Press any button on the new remote, the parking lights will flash three (3) times, the new remote is now programmed.

### Programming Lock with Brake, Unlock with Ignition Off

Press and hold the brake, then press and hold Button #3 (Trunk) until the parking lights flash three (3) times. Release Button #3. Press and release Button #2, the parking lights will flash once. The unit will now lock with the brake and unlock when the ignition is turned off. Press and release Button #2 again, the parking lights will flash twice. The Lock with Brake feature is now turned off. Release the brake, the parking lights will flash three (3) times. The programming is now entered. **NOTE:** Factory setting is Lock with Brake off.

### Programming Door Lock Pulse Length

Press and hold the brake, then press and hold Button #3 (trunk) until the parking lights flash three (3) times. Release Button #3. Press and release Button #1, the parking lights will flash once, the door lock pulse length is now 3.5 seconds. Press and release Button #1, the parking lights will flash twice, the door lock pulse length is now .7 seconds. Release the brake, the parking lights will flash three (3) times. The programming is now entered. **NOTE:** Factory Door Lock Pulse Setting is .7 seconds.

### Programming Double Pulse Unlock

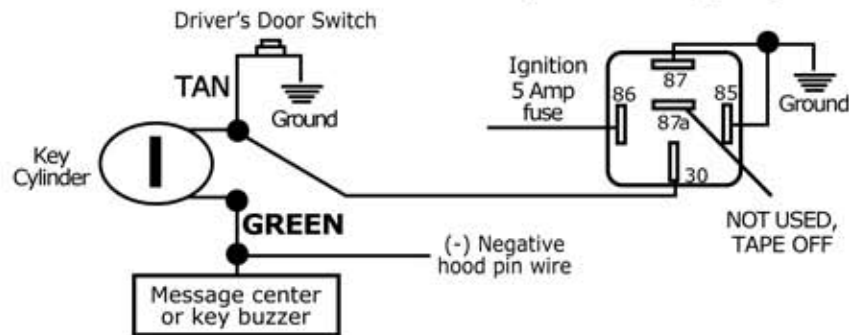
Press and hold the brake, then press and hold Button #4 (stop) until the parking lights flash four (4) times. Release Button #4. Press and release Button #3, the parking lights will flash once. Double Pulse Unlock is on. Press and release Button #3 a second time, the parking lights will flash twice. Double Pulse Unlock is off and Double Pulse Lock is on. Press and release Button #3 a third time, the parking lights will flash three times. Double Pulse Lock and Double Pulse Unlock are on. Press and release Button #3 a fourth time, the parking lights will flash four times. Double Pulse Lock and Double Pulse Unlock are now programmed off. **NOTE:** Factory Setting is Double Pulse Unlock off.

# NEUTRAL SAFETY SWITCH

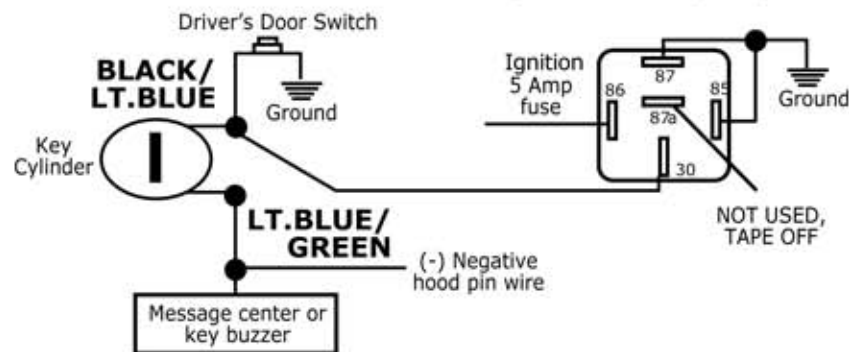
## MECHANICAL NEUTRAL SAFETY SWITCH (Rear Wheel Drive Only)

When installing a Bulldog Security remote starter on GM vehicles or Dodge Dakotas built prior to 1996, you must: **Use the diagram below to create a circuit that will prevent the remote starter from starting the vehicle unless the key is removed from the ignition switch.**

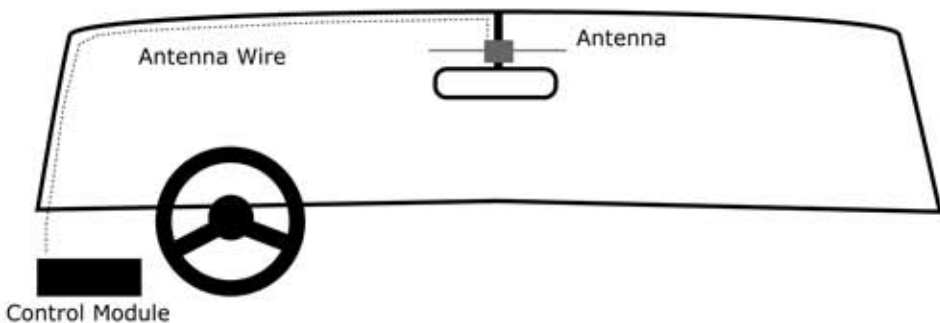
### PRE-1996 GM REAR WHEEL DRIVES WITH PURPLE CRANK WIRE – Optional relay required.



### PRE-1996 DODGE DAKOTAS – Optional relay required.



## ANTENNA PLACEMENT



Run the antenna 4-pin harness up the windshield pillar on the driver's side and across the top of the windshield tucking the antenna harness inside the headliner, behind the rearview mirror. **NOTE: Before mounting the antenna to the windshield, first clean the glass with an alcohol pad.** Plug the **RED** 4-pin harness from the antenna into the **RED** connector on the back of the unit. It will perform best if mounted below the dark windshield tint. Each receiver is tested to more than 1/4 mile of clear air reception. While many times you will see 1/2 mile or more. Many factors will affect the range, including the amount of radio signals in the area, battery strength, window tint, etc.

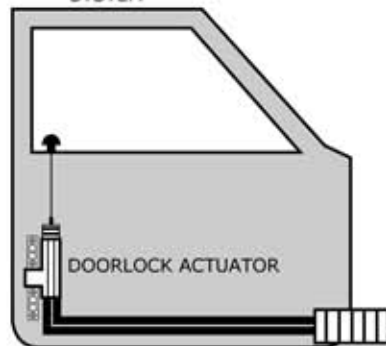
**NOTE:** There is a red or blue LED light in the window mounted antenna receiver that will blink when locking or arming the keyless entry with the remote transmitter.

The LED light is designed as a theft deterrent and is recommended by automotive insurance companies.

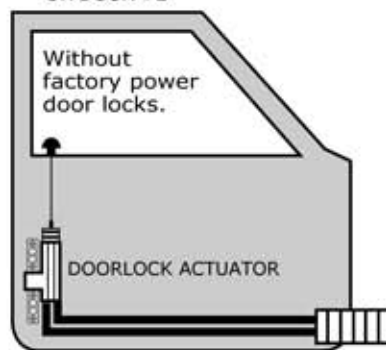
## CONNECTING DOORLOCKS

### WHEN ADDING DOORLOCK ACTUATORS

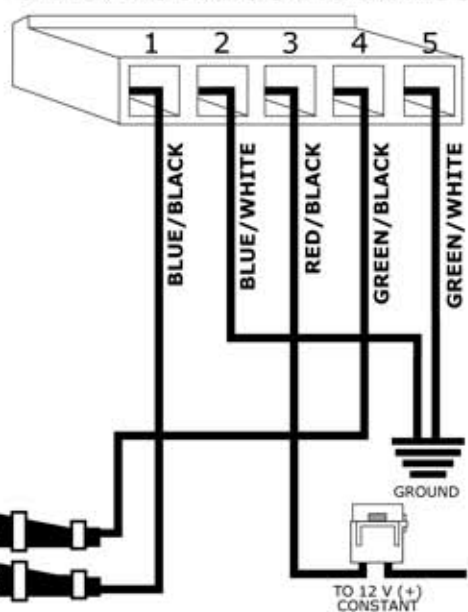
DOOR #1  
CENTRAL LOCKING  
SYSTEM



OR DOOR #2



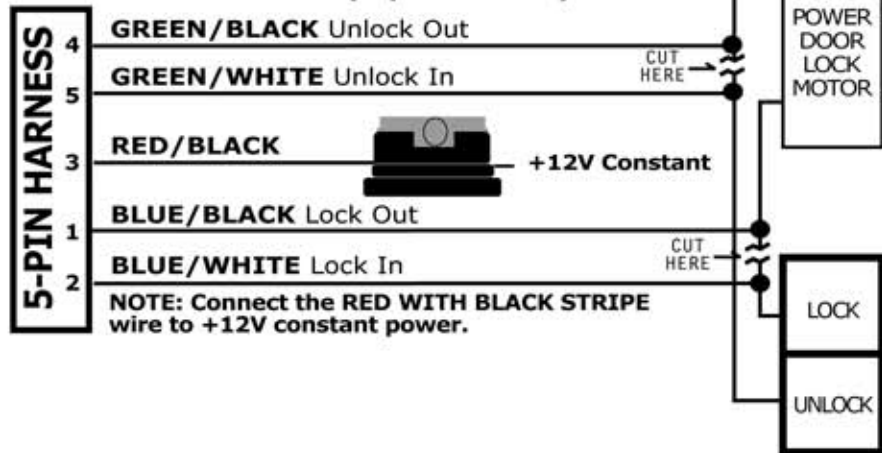
### 5-PIN DOORLOCK HARNESS



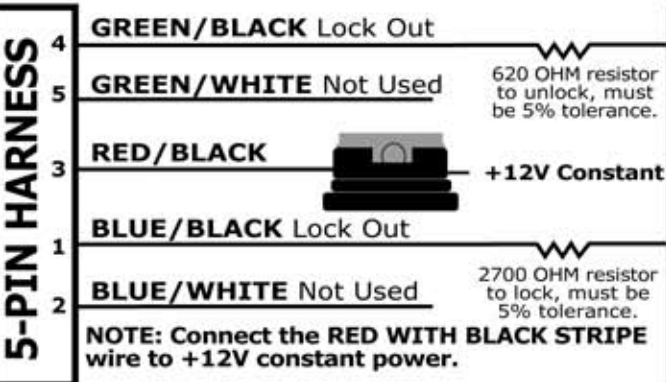
**NOTE:** This is the correct order of wire colors in the 5-pin harness.

# CONNECTING DOORLOCKS

## "Type C" Reverse Polarity (5-pin harness)

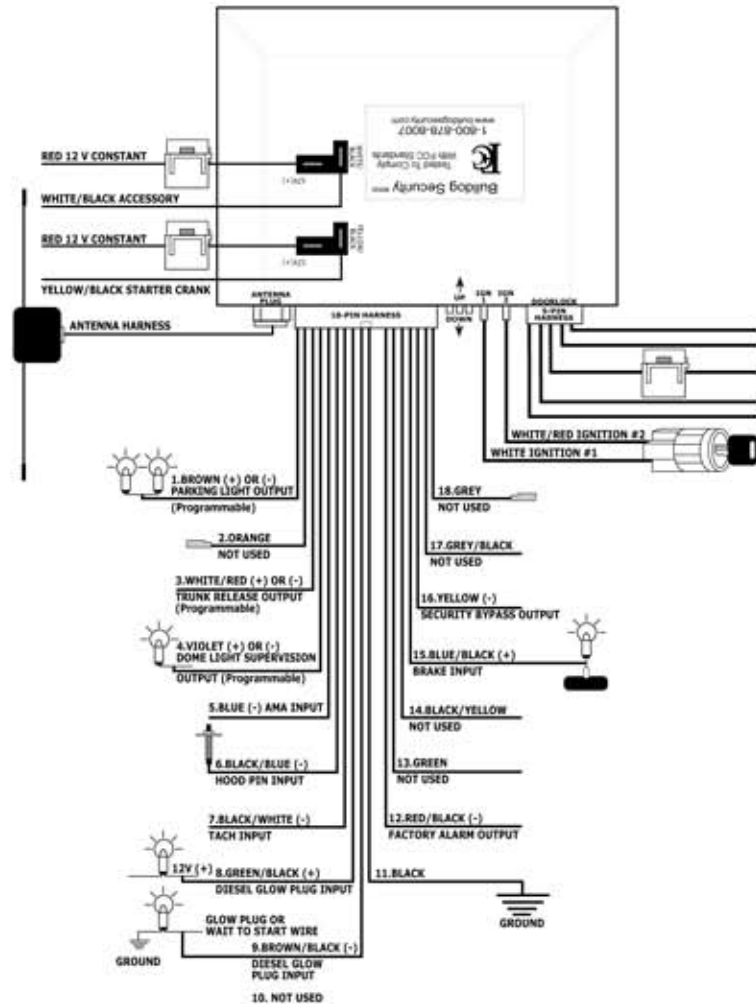


## One Wire Door Lock System (This is an example only)

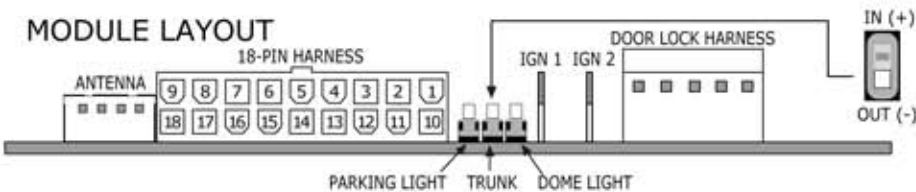


This is an example only. Resistor values and 12V or ground may vary depending on make and model of the vehicle.

# INSTALLATION DIAGRAM



# CONNECTING THE 18-PIN HARNESS



**CAUTION:** Please check the position of the switch before the wire connection is made. You may cause damage to the control module if the incorrect switch polarity is chosen.

**CAUTION:** The negative output for the trunk release and parking light is only 250ma and is designed for relay or BCM (computer module) connections only.

When not hooking directly to the Body control module a relay must be used to energize a negative circuit.

The part number for the relay is #775. You can purchase this part online at [www.directwholesale.net](http://www.directwholesale.net) or call 800-659-0764.

## 1. BROWN (+) or (-) Parking Light Output

Attach to the vehicles parking light wire. *Note: Adjust the switch for positive or negative output.*

## 2. ORANGE Not Used

## 3. WHITE/RED (+) or (-) Trunk Release or Channel #2 Output

*Note: Adjust the switch for positive or negative output.*

## 4. VIOLET (+) or (-) Dome Light Output

Provides positive or negative output for domelight supervision.

*Note: Adjust the switch for positive or negative output.*

## 5. BLUE (-) AMA (Aftermarket Alarm Activation)

When this wire receives a ground signal, it can start or stop the remote starter section of the unit.

## 6. BLACK/BLUE (-) Hood Switch Input

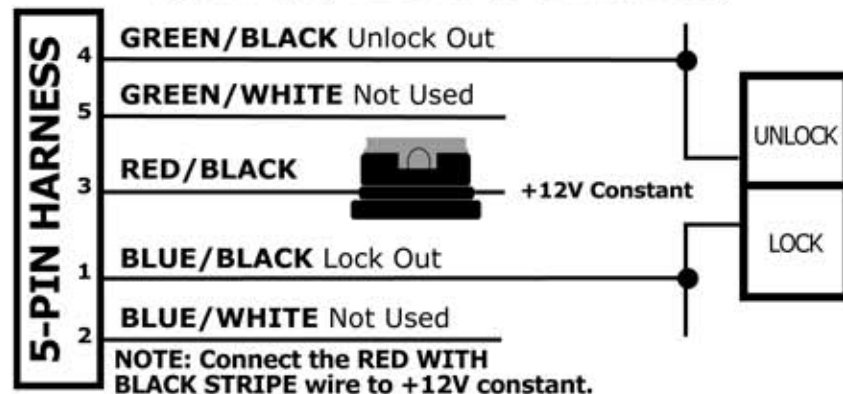
This feature will keep the engine from starting or shut off the engine when the hood is opened. Locate a good chassis ground with one inch of clearance for adjustment. Do not install the hood switch in a rain gutter. Drill a 5/16" hole. Insert the hood switch into the hole, check for the hood adjustment. The switch will remain neutral when the hood is closed and will show ground when the hood is open. Connect this wire from the 18-pin harness to the hood switch.

## 7. BLACK/WHITE (-) Tach (Optional) MUST USE WITH DIESEL ENGINES

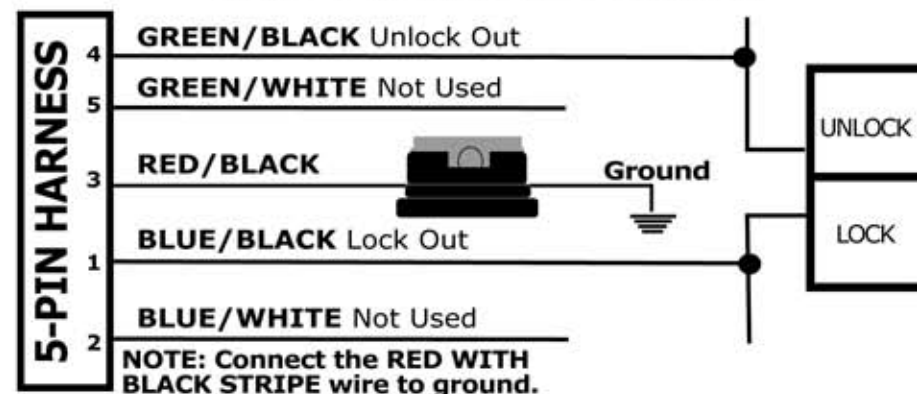
Attach to the negative side of the coil or coil pack. *Note: You must program for tach and tach learn when using this wire. (See Programming Tach/Tachless and Diesel Start, page 21.)*

# CONNECTING DOORLOCKS

## "Type A" (+) Positive (5-pin harness)



## "Type B" (-) Negative (5-pin harness)



### Testing Switch Wire and Motor Wires for "Type C" Door Locks

Before connecting, you must now determine which wire is the switch wire and which is the motor wire. Cut both the lock and unlock wires in two. Clip end of your test light to ground, hold the door lock switch in the lock position, make sure you are using the master switch (always on the driver's door) and probe both lock wires looking for voltage. The wire that illuminates the test light, mark as the switch wire, the wire that shows no voltage, mark as the motor wire. Repeat the procedure for the unlock wire.

### One Wire Door Lock System

Some vehicles have a single switch wire for both lock and unlock. This system will wire as a "Type A" or "Type B" depending on the vehicle. The only difference being this system will require one or two resistors depending on the make and model of the vehicle. Please consult our website for the proper resistor value for your vehicle.

- GREEN/BLACK (+) Diesel Glow Plug Input (Optional)**  
This wire is for diesel vehicles with a positive glow plug light wire to delay the remote starter. You may also program module for time start delay. (See *Programming Glow Plug Timer, page 22.*)
- BROWN/BLACK (-) Diesel Glow Light Input (Optional)**  
This wire is for vehicles with a negative glow plug light wire to delay the remote starter. You may also program your module for time delay start. (See *Programming Glow Plug Timer, page 22.*)
- Open Pin Not Used
- BLACK (-) Frame Ground**  
Attach to clean chassis ground.
- RED/BLACK (-) F.A.S.D. (Factory Alarm Shut Down)**  
This wire provides a negative output to disable the factory security system.
- GREEN** Not Used
- BLACK/YELLOW** Not Used
- BLUE/BLACK (+) Brake Pedal Input**  
When this wire receives 12 volts (+), it will shut down the remote starter. The correct wire will show 12 volts (+) only when the brake is pressed.
- YELLOW (-) Output to Security Bypass**  
This wire will provide a negative output for vehicles that require an add-on anti-theft bypass system.
- GREY/BLACK** Not Used
- GREY** Not Used

## CONNECTING THE MAIN POWER, IGNITION AND ACCESSORY WIRES

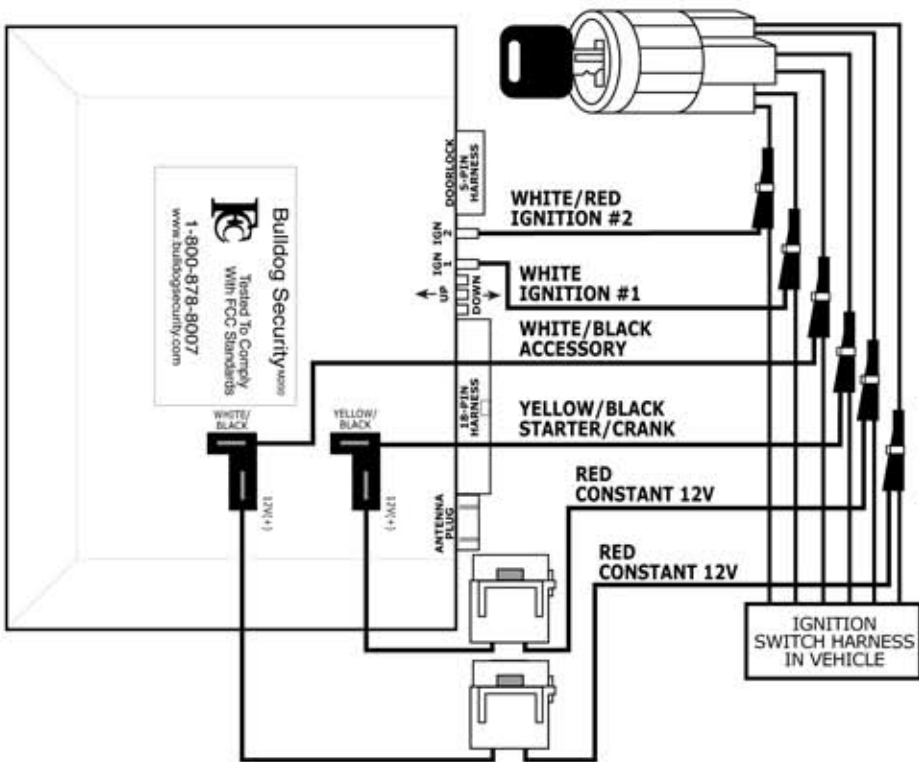
- RED (+) Power Input**  
There are two large gauge RED wires with 25 amp fuse holders that plug into the top of the control module. These two wires must attach to vehicles battery feed at the ignition switch harness.
- WHITE (+) Ignition #1 Output**  
This wire must attach to the vehicles ignition switch wire that shows 12 volts in the run and crank positions. This wire will plug in next to the 18-pin harnesses.
- WHITE/RED (+) Ignition #2 Output**  
This wire is for vehicles that have more than one ignition wire. Plug the wire in next to the 5-pin harnesses.
- WHITE/BLACK (+) Accessory Output**  
This wire must attach to the vehicles ignition switch wire that runs the heater blower circuit. Plug this wire in on top of the control module.

# CONNECTING THE MAIN POWER, IGNITION AND ACCESSORY WIRES

## 5. YELLOW/BLACK (+) Starter Crank Output

This wire must attach to the vehicles ignition switch wire that shows 12 volts in the start/crank position only. Plug this wire in on top of the control module.

# MAKING MAIN POWER, IGNITION AND ACCESSORY CONNECTIONS TO THE IGNITION SWITCH HARNESS



# TESTING DOORLOCKS

There are four basic types of door locks:

## "Type A" Door Lock Test (Most GMs and some Chryslers)

Probe both of your door lock wires going to the door lock switch usually located in the driver's kick panel. Attach the clip end of your test light to a good chassis ground. Using the vehicle's door lock controls, activate the lock then the unlock, testing both wires one at a time. If one of these wires tests (+) positive when lock is pressed and the other tests (+) positive when they are unlocked, your vehicle has a "Type A" door locking system. **NOTE:** "Type A" and "Type C" locks will test the same, until you test for ground. Make sure you run both tests before making your connections.

## "Type B" Door Lock Test (Most Imports, some newer Fords)

Probe both of your door lock wires going to the door lock switch usually located in the driver's kick panel. Attach the clip end of your test light to +12V. Using the vehicle's door lock controls, activate the lock then the unlock testing both wires one at a time. If the test light illuminates when you probe the lock and the unlock wires your vehicle has a "Type B" door locking system.

## "Type C" Door Lock Test (Most Fords, some Chryslers, GM Trucks)

Using your test light probe both the lock and the unlock wires usually located in the driver's kick panel. Attach the clip end of your test light to ground probing both wires one at a time while locking and unlocking the doors with the driver's side switch (usually the master switch). The test light should illuminate in both switch positions. Now attach the clip end of your test light to +12V constant, probe both wires one at a time again. The light should then illuminate again only in reverse order. This tells you that you have a "Type C" reversing polarity system. Make sure to mark which wire is lock and unlock.