

T-HARNESS to RS-700 or Units with 4-Relay Pack:

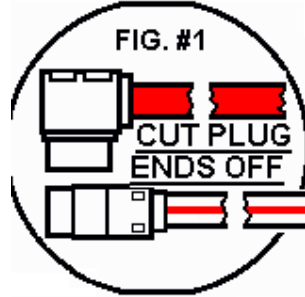


FIG. #1

FIG.#1 cut the ends off of all plugs to make end to end connections from relay pack to T-HARNESS...

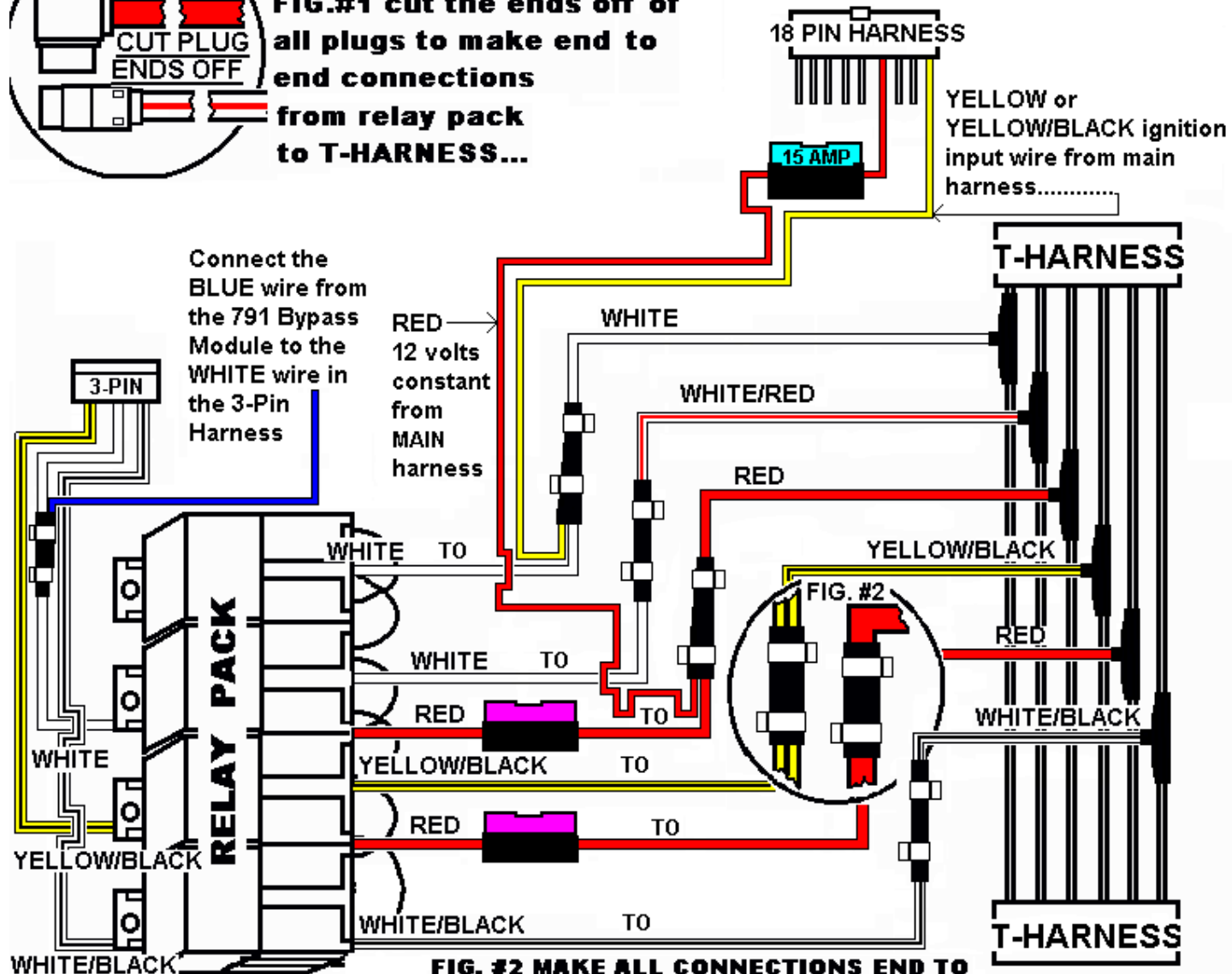


FIG. #2 MAKE ALL CONNECTIONS END TO END AS STATED IN THE INSTALL MANUAL