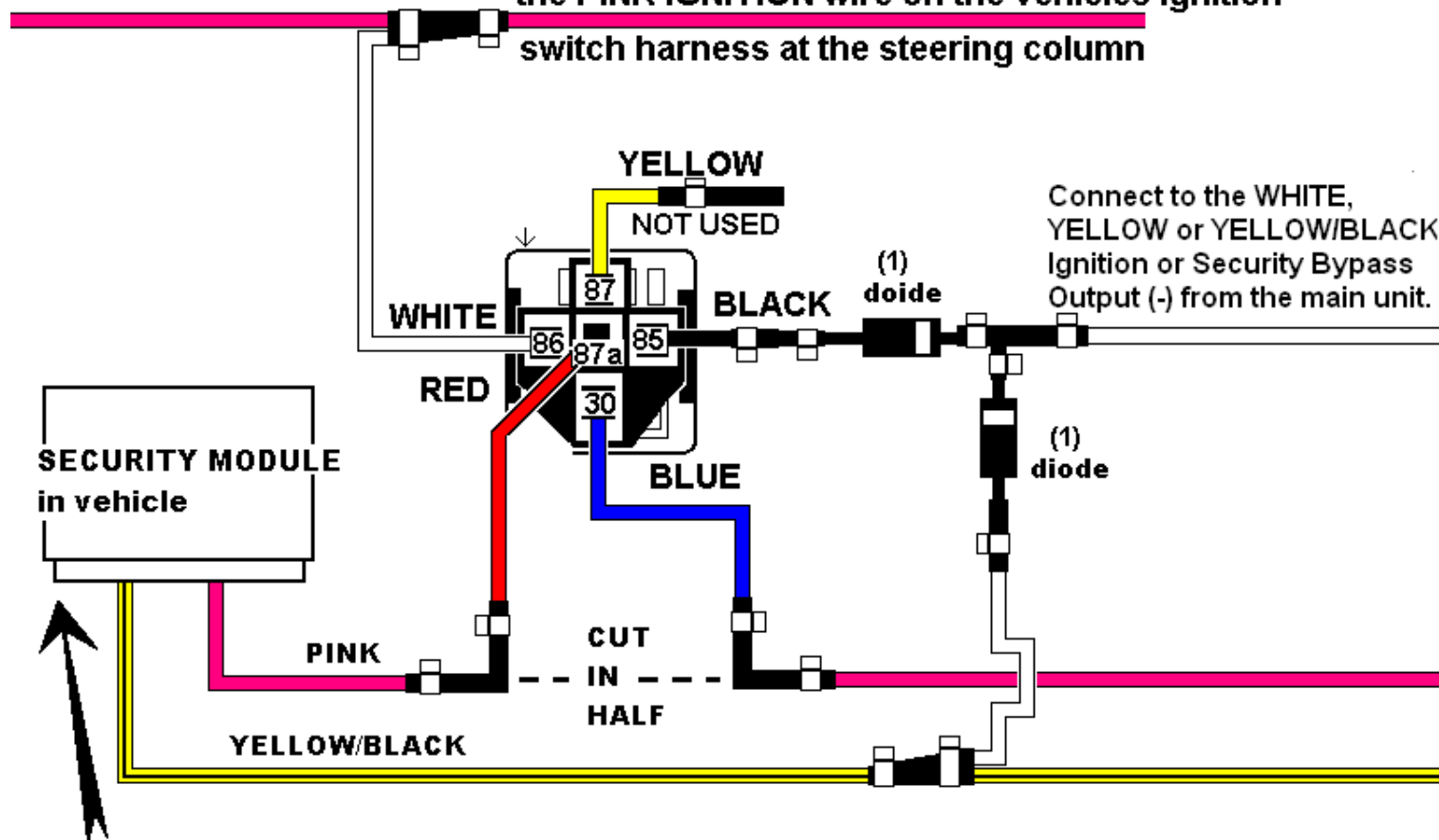


96-00 SATURN SECURITY BYPASS:

REQUIRES (2) 1amp DIODE's part # 1N4001
and (1) part # 775 relay...

Connect the WHITE wire from the #775 relay to
the PINK IGNITION wire on the vehicles ignition
switch harness at the steering column



Connect to the WHITE,
YELLOW or YELLOW/BLACK
Ignition or Security Bypass
Output (-) from the main unit.

SECURITY MODULE
in vehicle

SECURITY MODULE is located in the rear quarter panel next to the driverside
rear seat..... location same for COUPE and SEDAN

NOTE*** In some vehicles the location of SECURITY MODULE is in the
PASSANGER REAR QUARTER.