

EXAMPLE of INSTALLATION of ACTUATOR (Motor) in Door

Fig. 1-a Make sure the (2) rods are Parallel with each other

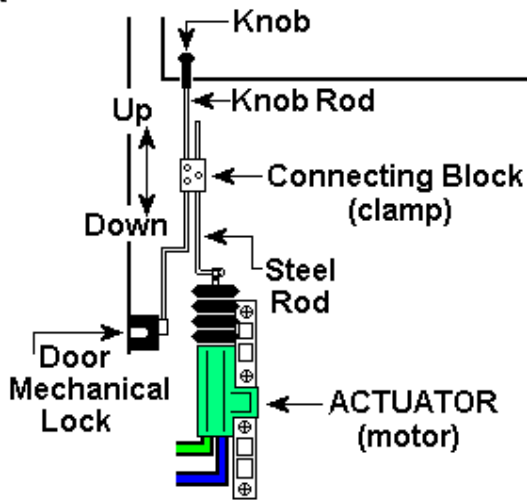


Fig. 1-b Make sure the (2) rods are Parallel with each other

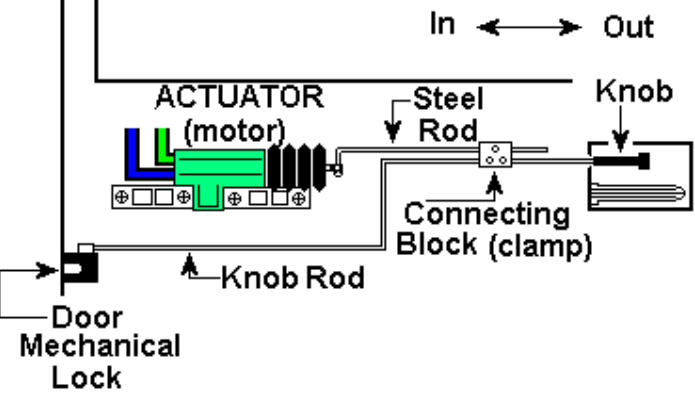


Fig. 2 Actuators CANNOT be INSTALLED in a bind

